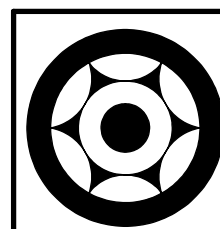
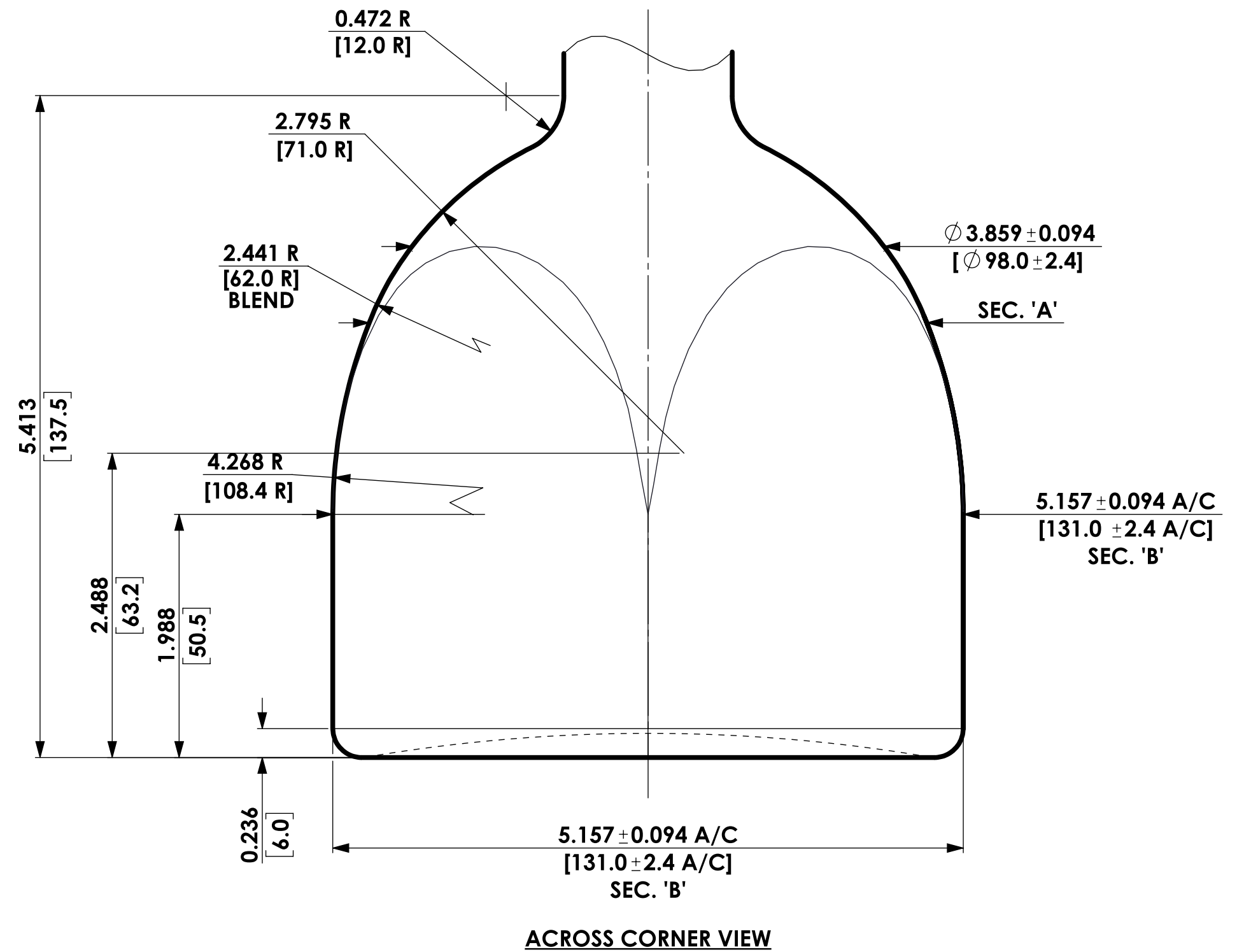
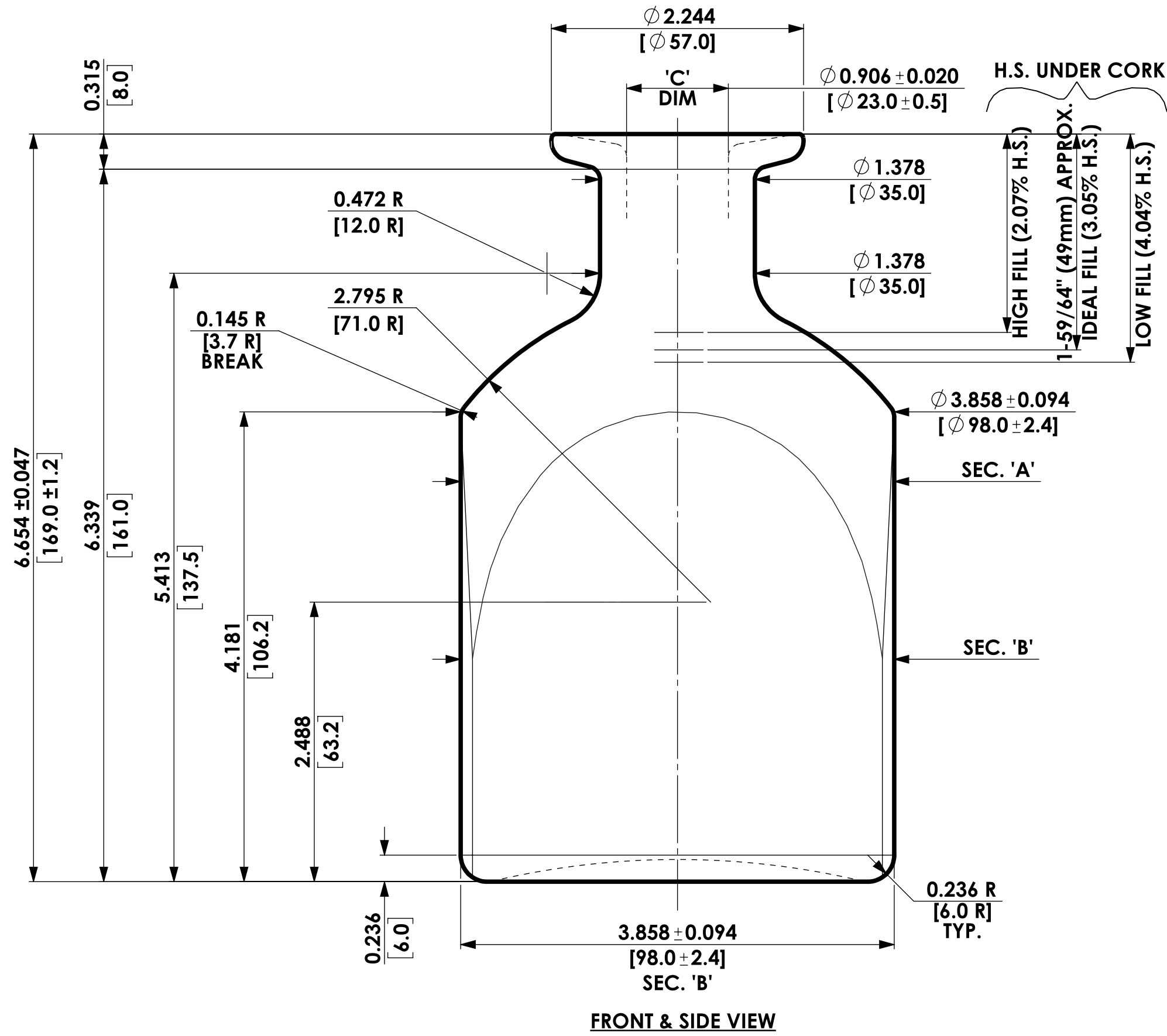


'C' DIMENSION CONTROLS CORK FIT AND MUST BE MAINTAINED FROM 0.125" [3.2mm] TO 0.625" [15.9mm] DOWN FROM TOP OF FINISH

'I' DIM = 0.787" [20.0mm] MIN.



Liquor Bottle

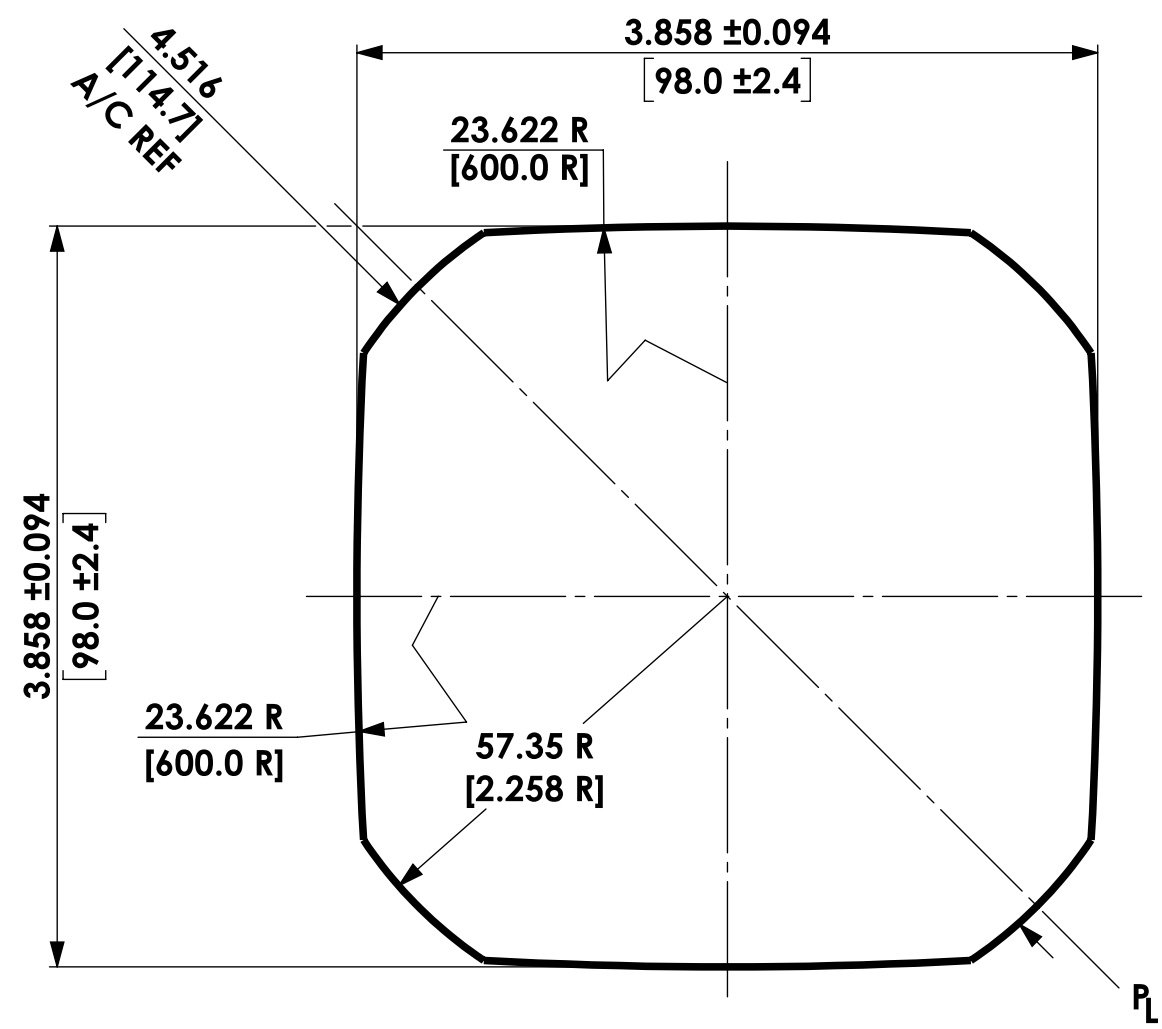
305 Madison Ave., Suite 1357, New York, NY 10165 Tel (212)922-2813; Fax (212) 922-2826

DESCRIPTION	
750 ML DANIEL	
O'FLOW CAP	780.8 mL ± 7.4 (26.40 FL.OZ. ± 0.25)
WEIGHT	800.0 g (28.22 OZ.)
FINISH	CORK
IDEAL FILLPOINT	750.0 mL (25.36 FL.OZ.) @ 49mm APPROX. DOWN INSIDE
MEAN HEADSPACE	30.8 mL (1.04 FL.OZ.) WITHOUT CORK 4.1%
LOW FILLPOINT	DOWN INSIDE
MAXIMUM HEADSPACE	38.2 mL (1.29 FL.OZ.) " 5.1%
HIGH FILLPOINT	DOWN INSIDE
MINIMUM HEADSPACE	23.4 mL (0.79 FL.OZ.) " 3.1%

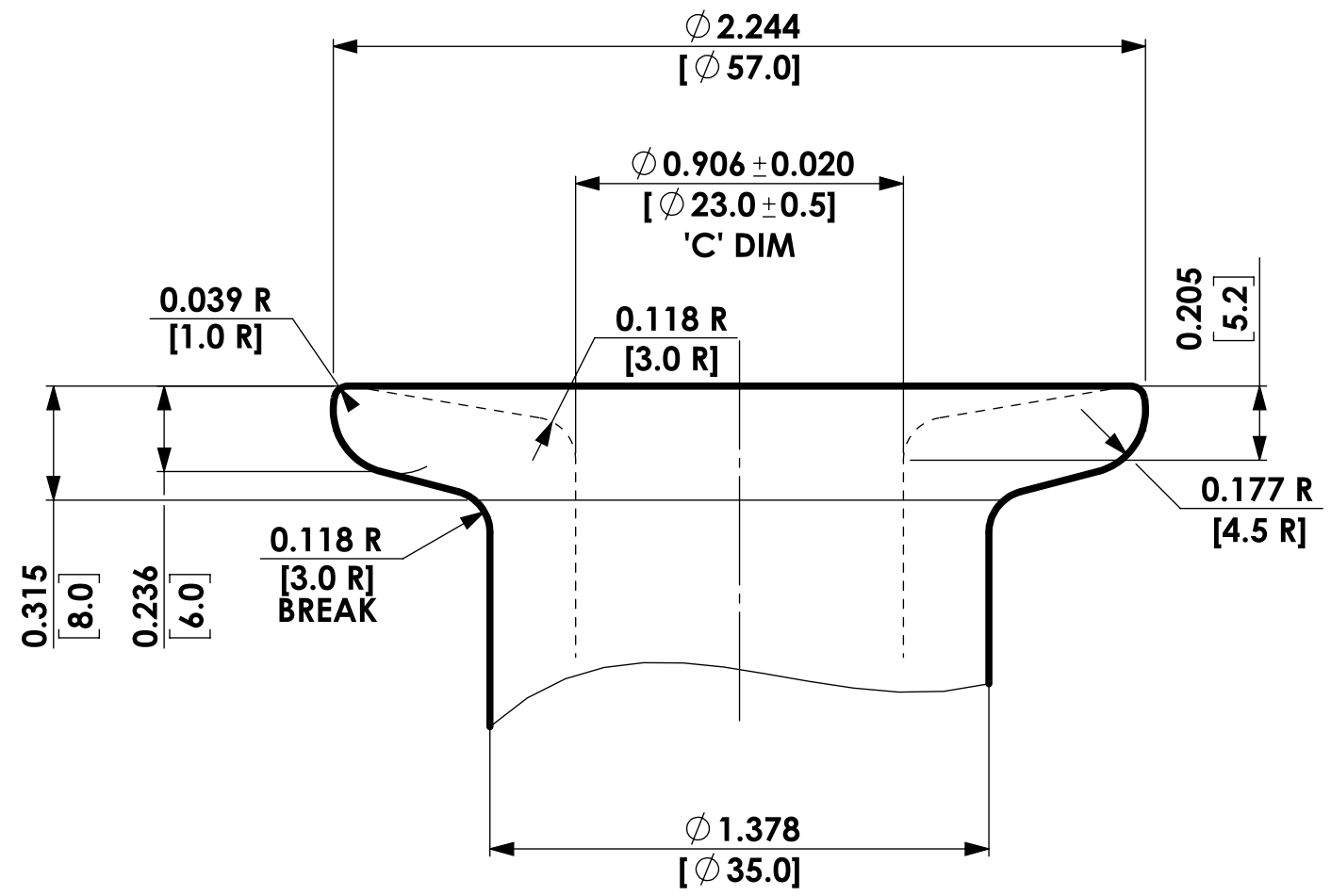
APPROVAL	REFERENCE

DRN BY	DATE	ITEM NO.	DWG. NO.	REV.
L.E.F.	08/15/2019		LQ-19-0991	

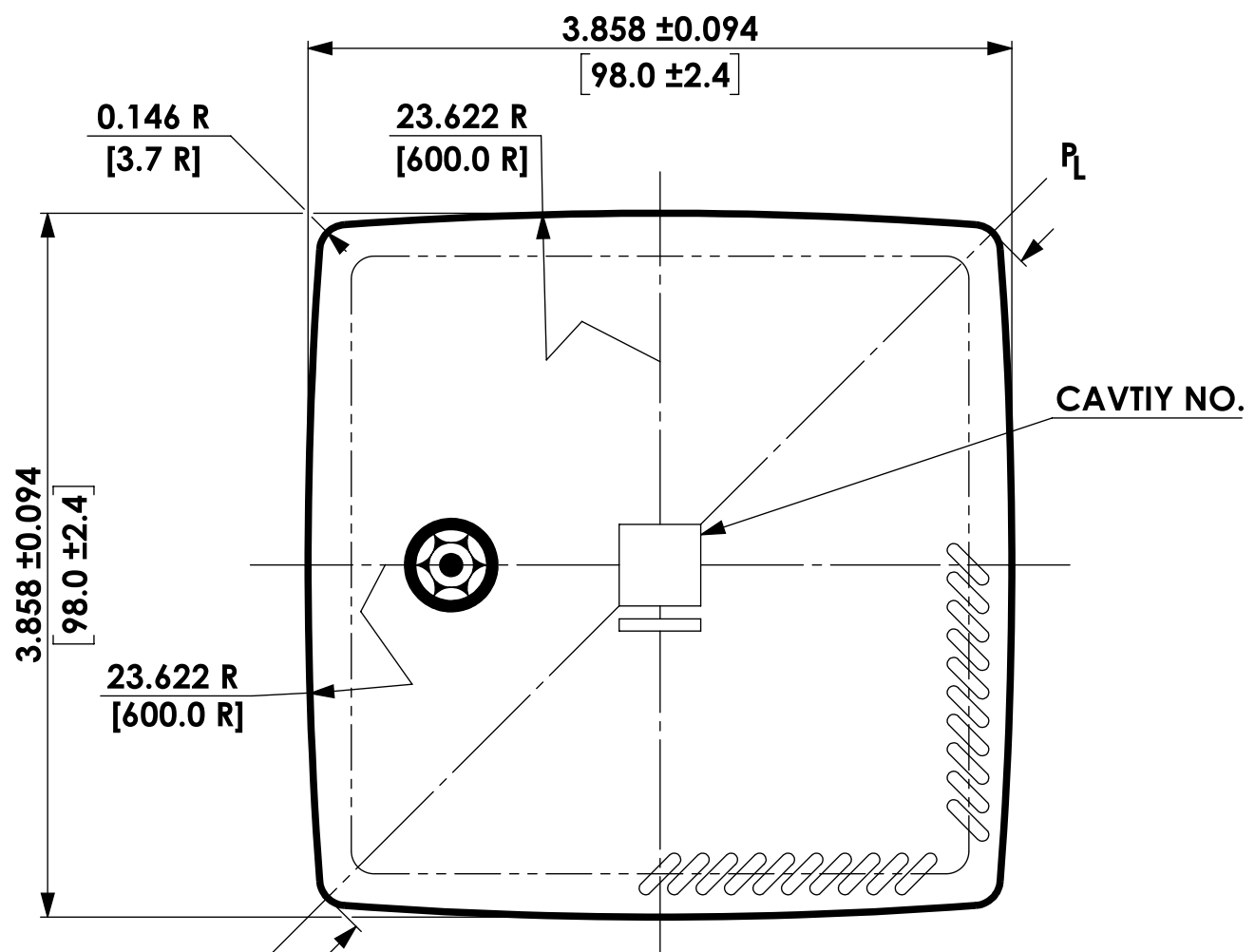
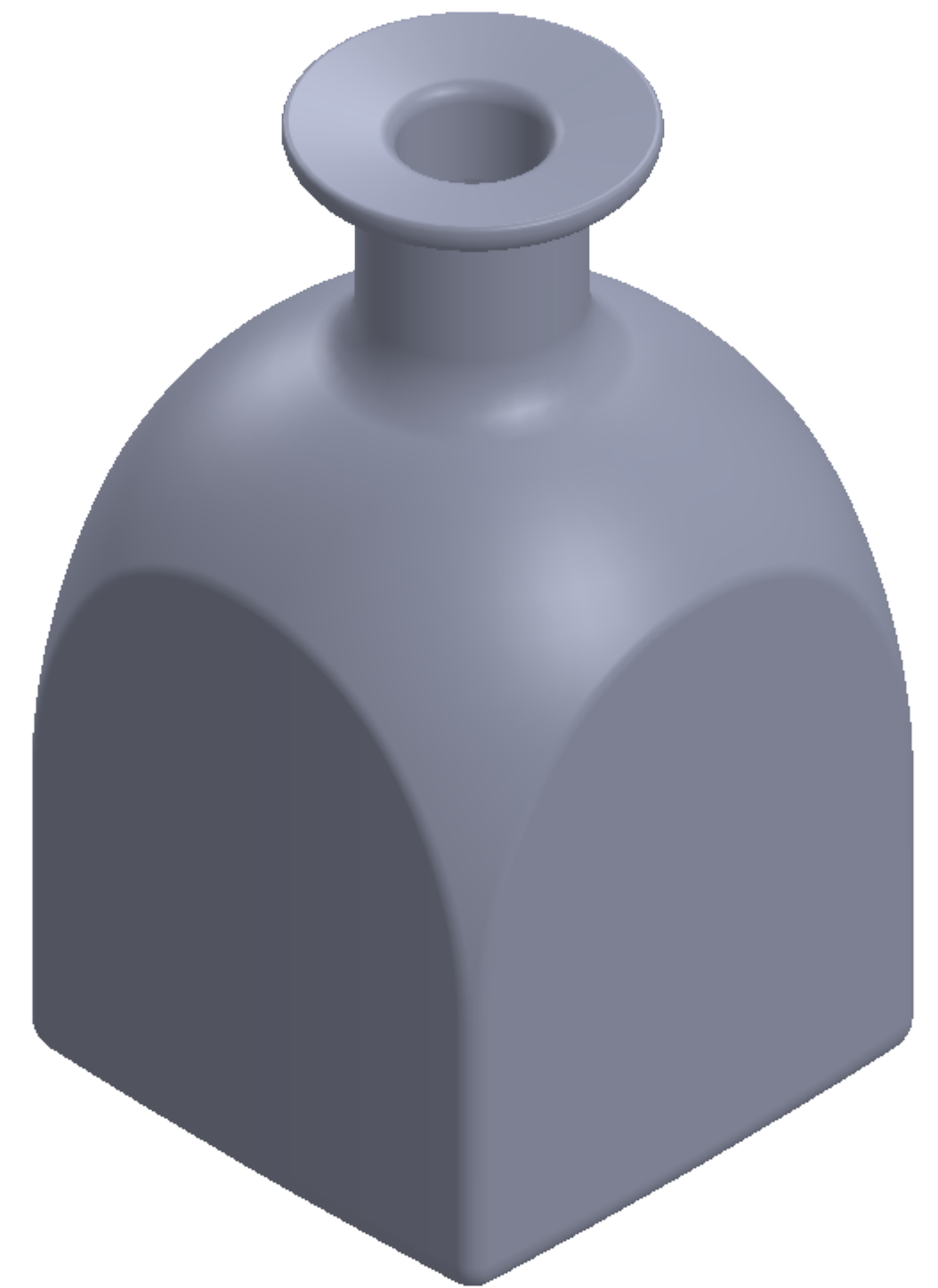
LET	REVISION	DATE



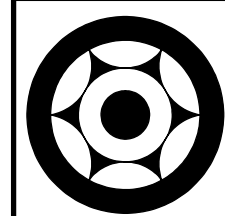
SECTION 'A'



FINISH DETAIL
SCALE 2:1



SECTION 'B' & BOTTOM VIEW



Liquor Bottle

305 Madison Ave., Suite 1357, New York, NY 10165 Tel (212)922-2813; Fax (212) 922-2826

DESCRIPTION		750 ML DANIEL				
O'FLOW CAP						
WEIGHT						
FINISH						
IDEAL FILLPOINT	DOWN INSIDE	MEAN HEADSPACE				
LOW FILLPOINT	DOWN INSIDE	MAXIMUM HEADSPACE				
HIGH FILLPOINT	DOWN INSIDE	MINIMUM HEADSPACE				
APPROVAL	REFERENCE	DRN BY	DATE	ITEM NO.	DWG. NO.	REV.
		L.E.F.	08/15/2019		LQ-19-0991	

LET	REVISION	DATE
-----	----------	------